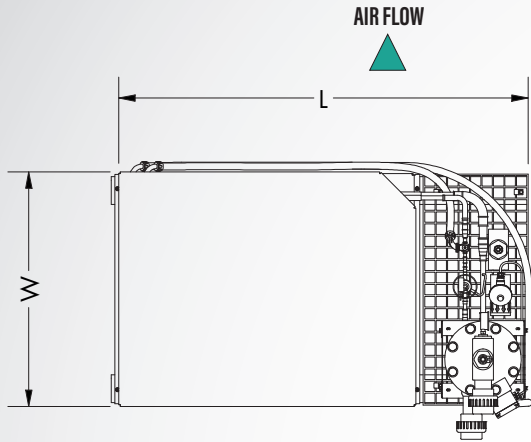


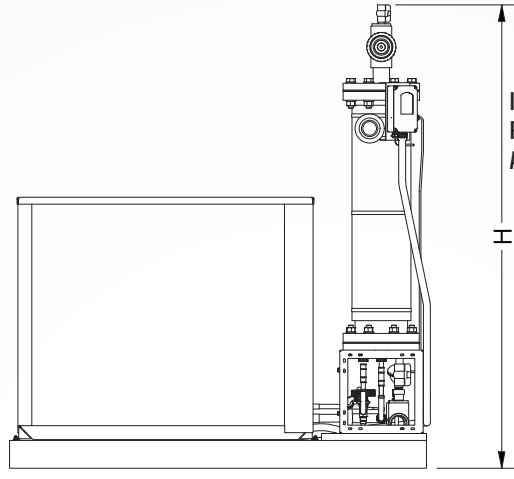


# HYDROMARINE LTC CHILLER - 2.5 - 6.0 HORSEPOWER

TITANIUM HEAT EXCHANGER FOR USE IN APPLICATIONS BELOW 50°F / 10°C

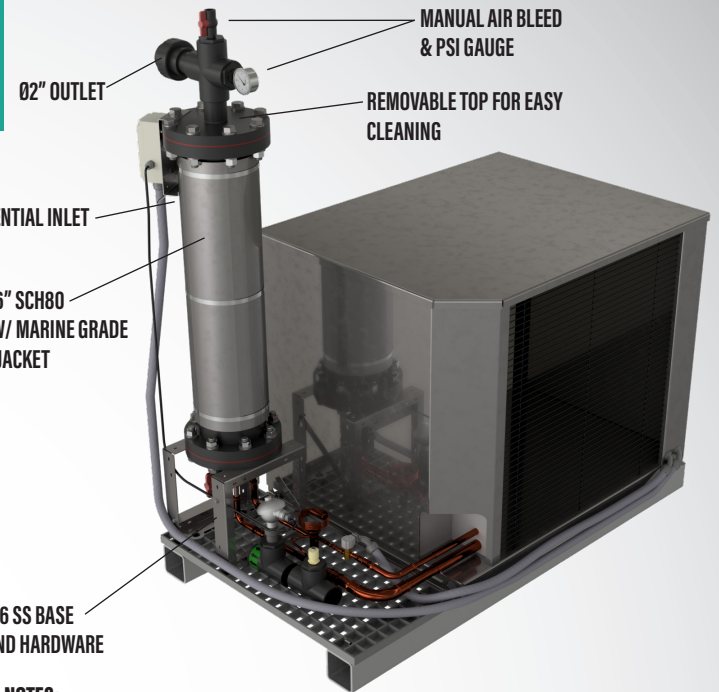


PLAN VIEW



Corrosion Resistant FRP Skid

FRONT VIEW



**NOTES:**

- Gr.2 TITANIUM TUBE HEAT EXCHANGER COIL
- NORMAL OPERATING AMBIENT WATER TEMPERATURE: 32°F - 50°F
- SIDE DISCHARGE AREA SHOULD BE UNRESTRICTED FOR 48 INCHES MINIMUM
- AVOID PLACING UNIT IN DIRECT AREA OF ROOF RUNOFF OR CONSTANT WATER FLOW
- CONSULT *WITT* SPECIFIED CONDENSER CLEARANCES WHEN PLACING UNIT(S)
- SCH 80 PVC EVAPORATOR SHELL CONSTRUCTION WITH REMOVABLE FLANGED ENDS
- ALL 316 SS BASE AND HARDWARE
- MARINE GRADE ALUMINUM JACKET WITH SALTWATER CORROSION RESISTANT CLEAR COATING
- TEMPERATURE CONTROLLER CAN BE SET +/- 0.1° F/C
- UNIT ARRIVES CHARGED WITH R-407A REFRIGERANT
- CRANKCASE HEATER
- HEAD PRESSURE CONTROL FLOODING VALVE
- EVAPORATOR SUCTION/LIQUID LINES SIZED TO MATCH CONDENSER. INSTALLING CONTRACTOR RESPONSIBLE FOR SIZING REFRIGERATION LINES

**OPTIONS:**

- FUSED DISCONNECT / NON-FUSED DISCONNECT
- LOW AMBIENT KIT WITH HEATED AND INSULATED RECEIVER, TD RELAY
- MARINE CONDENSER COIL COATING
- MARINE CONDENSER COMPLETE UNIT COATING
- SKID MOUNTED CHILLED WATER PUMP
- 575V 3PH AVAILABLE

MODEL NUMBER	SPECIFICATIONS			DIMENSIONS			POWER OPTIONS		
	BTUH @ 25F SST	Δ PSI at max flow	Water Flow Range (GPM)	Length (L)	Width (W)	Max. Height (H)	208-230V / 1 ph. RLA / MOCP	208-230V / 3 ph. RLA / MOCP	460V / 3 ph. RLA / MOCP
DH-LTC-2.5	19 430	<5	35 - 100	60"	34"	52"	17.2 / 35	13.3 / 25	6.6 / 15
DH-LTC-3.5	30 840	<5	50 - 100	60"	34"	52"	24.3 / 50	17 / 35	8.7 / 15
DH-LTC-4	36 200	<5	60 - 120	60"	34"	66.5"	36.5 / 50	21.5 / 45	10.9 / 20
DH-LTC-5	40 590	<5	70 - 120	60"	34"	66.5"	31.6 / 60	23.1 / 45	11.5 / 20
DH-LTC-6	45 020	<5	80 - 120	60"	34"	66.5"	n/a	24.6 / 50	12.8 / 25

\*RLA = Running Load Amps

\*MOCP is the max recommended breaker size

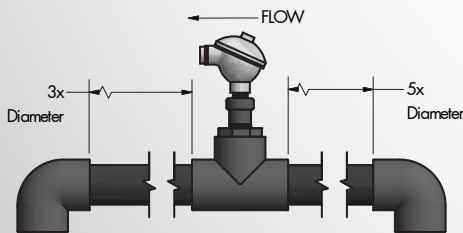
\*25°F SST sized for 40°F desired water temperature

\*BTU performance sized at 90°F ambient air temp.

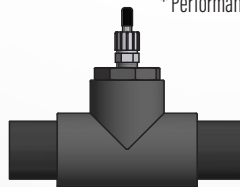
\*Performance based on R448A refrigerant

**FLOW SWITCH NOTE:**

FLOW SWITCH MUST BE INSTALLED HORIZONTALLY ON INLET OR OUTLET OF HEAT EXCHANGER, WITH MINIMUM STRAIGHT PIPE DISTANCES BEFORE AND AFTER AS SHOWN IN DRAWING. OPTIONAL FACTORY MOUNT & WIRE.



FIELD INSTALLED FLOW SWITCH



THERMOWELL

**THERMOWELL NOTE:**

MUST BE INSTALLED ON INLET PIPING TO HEAT EXCHANGER.



**Delta Hydronics**

9100 Bolton Ave., Hudson, FL, 34667 (727) 861-2421 - info@deltahydro.com